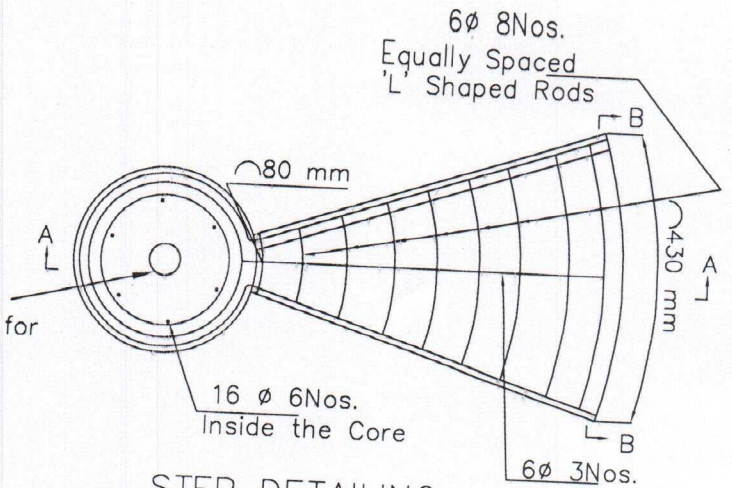
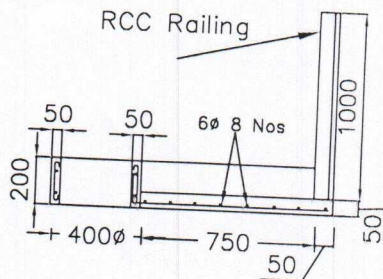


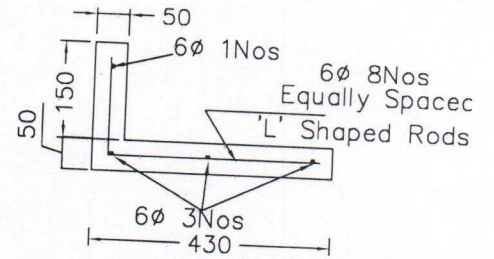
SECTIONAL ELEVATION



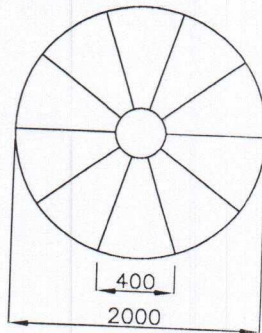
STEP DETAILING



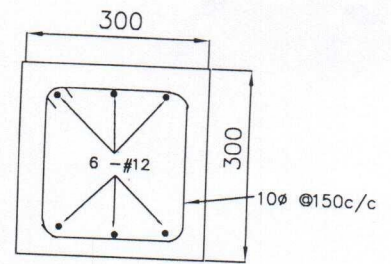
STEP SECTIONAL
DETAIL A-A



STEP SECTIONAL
DETAIL B-B



PLAN OF SPIRAL
STAIR CASE



SECTION OF TIE BEAM

**NOTE: THIS DRAWING
SUPERSEDES THE
EARLIER APPROVED
DRAWING FOR SPIRAL
STAIR CASE ON
25.05.2017.**

// APPROVED //

NOTES

1. Concrete M30 and Fe 500 reinforcement
2. The notes shown in OHSR drawing should be read in conjunction with this
3. There should be a min. gap of 300mm between the footing of OHSR and the staircase column
4. If Overall depth of foundation for staircase is 3.0m or more, then pedestal footing has to be provided.
5. The column has to be connected to the OHSR at each bracing by tie beam with Hinge connection

Government of Telangana

Rural Water Supply & Sanitation
Department

Typical Details of spiral staircase for
column type OHSR/OHBR upto 12m
staging

Scale: Not to scale | Sheet 1 of 1

CE-I 31/5/17
CE-II 31/5/17
CE-III 31/5/17
TDSWP, Hyderabad
31/5/17
31/5/17
31/5/17

